



Passage



Privacy Snib



Key Locking



Bi-Parting (Double Doors)



Universal Design



CL400[®] Magnetic

The **CL400[®] Magnetic** is a range of modern architectural hardware for sliding doors. The range covers Passage, Privacy, Key Locking, Bi-Parting and Accessible configurations.

This high quality, wrap around handle is easy to fit, requiring no complicated mortice cutout.

High quality door hardware for most interior sliding applications.



Available in a range of finishes, the CL400 is suitable for both residential and light commercial use.

↑ 1 - CaviLock CL400 Passage (latching) handle in Satin Chrome, fitted to a timber door.



- Architectural styling with a wide range of configurations and finish options available
- Suitable for use on timber doors as well as the **CS NewYorker[®]** aluminium framed door
- No on site alteration of handle is required
- Reliable, high quality components
- Suitable for cavity or surface sliding doors*
- Step by step installation instructions with detailed diagrams and templates are included
- Can be used to upgrade existing hardware by retrofitting over smaller box cutout

Positive grip for heavy doors

Simple cutout ensures quick fitting

Front edge incorporates a finger hole to retrieve door from the pocket

Moving parts sit flush until the door closes to minimise wear

Patented magnetic catch and plunger action produces a positive hold close without the need to activate the snib

Hidden fixing screws - only three small screws showing on the face plate

Available with a choice of face plate widths

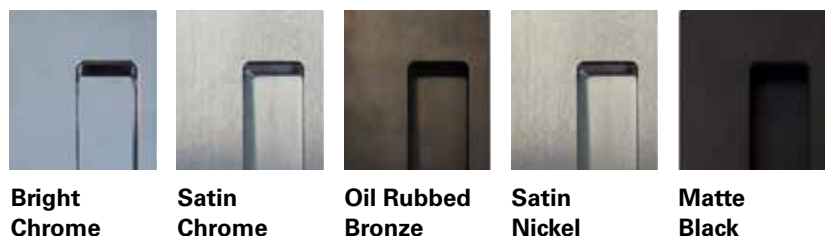
Striker can be adjusted 2.5mm up or down once installed

Striker sits flush with the closing jamb

** Not suitable as a secure exterior lock.*

Finish Options

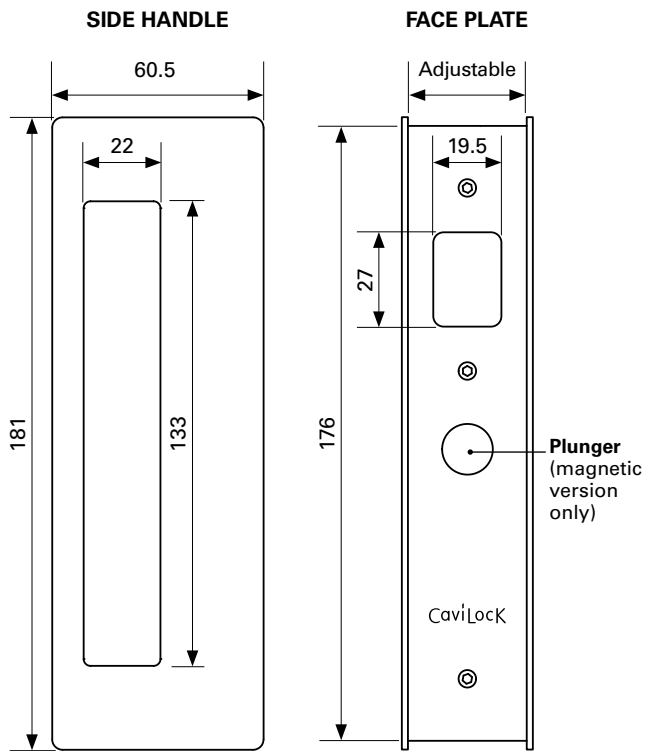
CL400 handles are available in these standard finishes. Custom finishes are available by special order.



The CL400 Magnetic is a stylish architectural option for passage handles. Designed to complement the privacy and locking range, this handle features a positive hold-close action to ensure the door doesn't bounce off the closing jamb.

A non-magnetic option is also available.

Dimensions

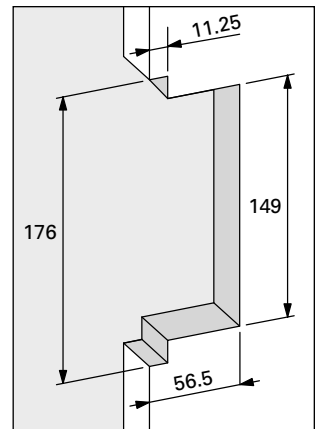


▲ 2 - CL400 Passage (non latching). Satin Chrome finish.

Door Cutout

The CL400 Magnetic requires a simple door cut out.

Complete instructions and templates are supplied with every handle.



CL400 Passage Configurations

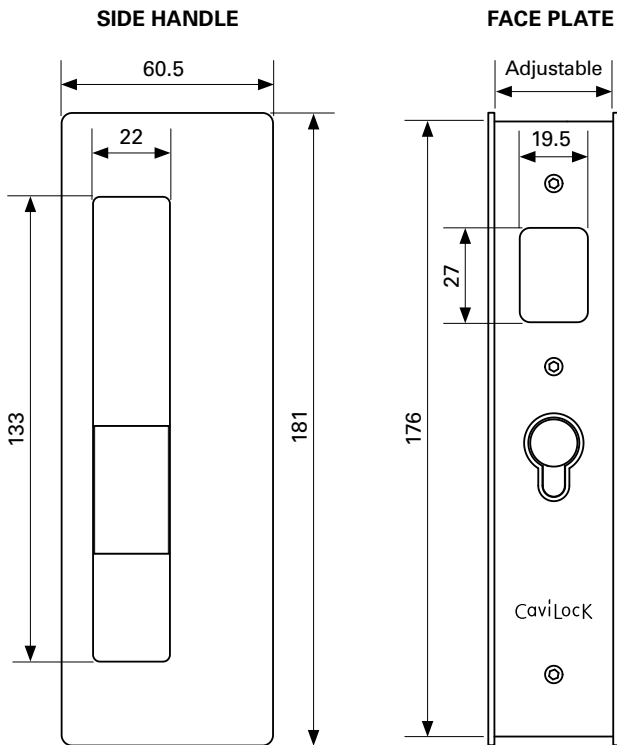
Function	Finish	Door Thickness		
		34-40mm	40-46mm	46-52mm
Blank/Blank (Non-latching)	Bright Chrome	CL400A0025	CL400A0026	CL400A0027
	Satin Chrome	CL400A0125	CL400A0126	CL400A0127
	Oil Rubbed Bronze	CL400A0225	CL400A0226	CL400A0227
	Satin Nickel	CL400A0325	CL400A0326	CL400A0327
	Matte Black	CL400A0425	CL400A0426	CL400A0427
Blank/Blank (Mag latching)	Bright Chrome	CL400A0028	CL400A0029	CL400A0030
	Satin Chrome	CL400A0128	CL400A0129	CL400A0130
	Oil Rubbed Bronze	CL400A0228	CL400A0229	CL400A0230
	Satin Nickel	CL400A0328	CL400A0329	CL400A0330
	Matte Black	CL400A0428	CL400A0429	CL400A0430



▲ 3 - CL400 Passage (latching). Oil Rubbed Bronze finish.

The CL400 Privacy option matches the other configurations in the range. The magnetic latching feature ensures the door doesn't roll open - even if the snib is not engaged.

Dimensions



4 - CL400 Privacy Snib/ Snib option. Satin Chrome finish.

CL400 Privacy Configurations

Function	Finish	Door Thickness		
		34-40mm	40-46mm	46-52mm
	Bright Chrome	CL400B0025	CL400B0030	CL400B0035
	Satin Chrome	CL400B0125	CL400B0130	CL400B0135
	Oil Rubbed Bronze	CL400B0225	CL400B0230	CL400B0235
	Satin Nickel	CL400B0325	CL400B0330	CL400B0335
	Matte Black	CL400B0425	CL400B0430	CL400B0435
	Bright Chrome	CL400B0028	CL400B0033	CL400B0038
	Satin Chrome	CL400B0128	CL400B0133	CL400B0138
	Oil Rubbed Bronze	CL400B0228	CL400B0233	CL400B0238
	Satin Nickel	CL400B0328	CL400B0333	CL400B0338
	Matte Black	CL400B0428	CL400B0433	CL400B0438
	Bright Chrome	CL400B0029	CL400B0034	CL400B0039
	Satin Chrome	CL400B0129	CL400B0134	CL400B0139
	Oil Rubbed Bronze	CL400B0229	CL400B0234	CL400B0239
	Satin Nickel	CL400B0329	CL400B0334	CL400B0339
	Matte Black	CL400B0429	CL400B0434	CL400B0439

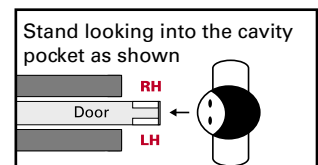


5 - CL400 Privacy - Emergency Release/Snib option. Custom finish.

Handing

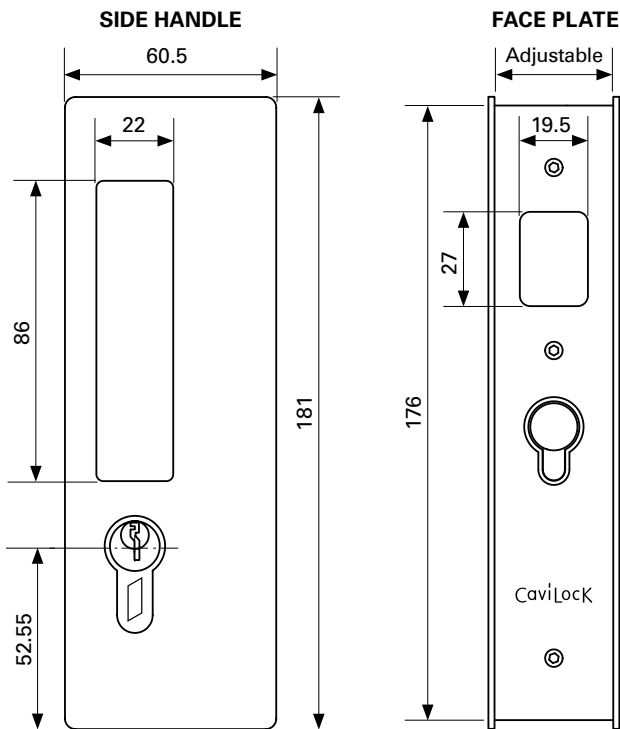
Handing is determined at time of manufacture and cannot be altered on site. Careful selection of handing options is required at time of order.

See diagram for determining handing of functions.



The CL400 Key Locking option is suitable for residential or light commercial use in internal situations where medium security is required. It incorporates a 3 pin single or double Euro Profile cylinder, which suits most door thicknesses. All Key Locking handles come with a raised shroud as standard for increased security.*

Dimensions



↑ 6 - CL400 Key/Key option. Satin Nickel finish.



↑ 7 - CL400 Key/Snib option. Oil Rubbed Bronze finish.

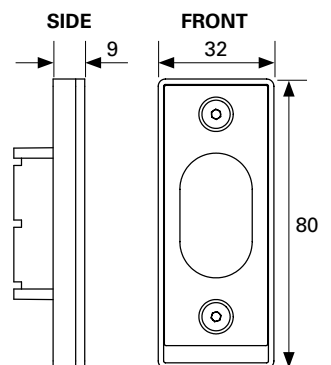
CL400 Key Configurations

Function	Finish	Door Thickness		
		34-40mm	40-46mm	46-52mm
Blank/Key RH	Bright Chrome	CL400C0025	CL400C0035	CL400C0045
	Satin Chrome	CL400C0125	CL400C0135	CL400C0145
	Oil Rubbed Bronze	CL400C0225	CL400C0235	CL400C0245
	Satin Nickel	CL400C0325	CL400C0335	CL400C0345
	Matte Black	CL400C0425	CL400C0435	CL400C0445
LH Key/Blank	Bright Chrome	CL400C0026	CL400C0036	CL400C0046
	Satin Chrome	CL400C0126	CL400C0136	CL400C0146
	Oil Rubbed Bronze	CL400C0226	CL400C0236	CL400C0246
	Satin Nickel	CL400C0326	CL400C0336	CL400C0346
	Matte Black	CL400C0426	CL400C0436	CL400C0446
LH Snib/Key RH	Bright Chrome	CL400C0027	CL400C0037	CL400C0047
	Satin Chrome	CL400C0127	CL400C0137	CL400C0147
	Oil Rubbed Bronze	CL400C0227	CL400C0237	CL400C0247
	Satin Nickel	CL400C0327	CL400C0337	CL400C0347
	Matte Black	CL400C0427	CL400C0437	CL400C0447
LH Key/Snib RH	Bright Chrome	CL400C0028	CL400C0038	CL400C0048
	Satin Chrome	CL400C0128	CL400C0138	CL400C0148
	Oil Rubbed Bronze	CL400C0228	CL400C0238	CL400C0248
	Satin Nickel	CL400C0328	CL400C0338	CL400C0348
	Matte Black	CL400C0428	CL400C0438	CL400C0448
Key/Key	Bright Chrome	CL400C0029	CL400C0039	CL400C0049
	Satin Chrome	CL400C0129	CL400C0139	CL400C0149
	Oil Rubbed Bronze	CL400C0229	CL400C0239	CL400C0249
	Satin Nickel	CL400C0329	CL400C0339	CL400C0349
	Matte Black	CL400C0429	CL400C0439	CL400C0449

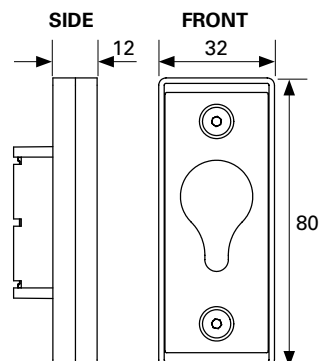
Striker

Depending on the handle configuration, the striker sits flush with the face of the closing jamb or is recessed into the jamb.

Flush striker
(Passage/Privacy handles)



Recessed striker
(Key Locking handles)



* Not suitable as a secure exterior lock.

The CL400 Bi-Parting set is suitable for use where two doors meet in the middle. Passage, Privacy and Key Locking configurations are available. The positive hold close action brings the doors together smoothly, and holds them together until ready to open.

Note: Privacy and Key Locking configurations are not suitable as a high security option when used in a Bi-Parting door setup.



8 - CL400 Bi-Parting Privacy Emergency/Snib option. Satin Nickel. ➔

CL400 Bi-Parting Configurations

(EACH CODE BELOW INCLUDES 1 PAIR OF HANDLES)

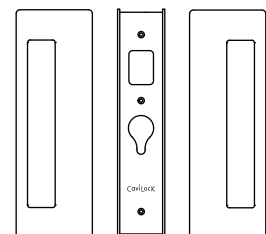
Function	Finish	Door Thickness		
		34-40mm	40-46mm	46-52mm
Passage (non latch) 	Bright Chrome	CL400D0025	CL400D0026	CL400D0027
	Satin Chrome	CL400D0125	CL400D0126	CL400D0127
	Oil Rubbed Bronze	CL400D0225	CL400D0226	CL400D0227
	Satin Nickel	CL400D0325	CL400D0326	CL400D0327
	Matte Black	CL400D0425	CL400D0426	CL400D0427
Passage(Mag latch) 	Bright Chrome	CL400D0028	CL400D0029	CL400D0030
	Satin Chrome	CL400D0128	CL400D0129	CL400D0130
	Oil Rubbed Bronze	CL400D0228	CL400D0229	CL400D0230
	Satin Nickel	CL400D0328	CL400D0329	CL400D0330
	Matte Black	CL400D0428	CL400D0429	CL400D0430
Privacy Snib/Snib 	Bright Chrome	CL400D0035	CL400D0040	CL400D0045
	Satin Chrome	CL400D0135	CL400D0140	CL400D0145
	Oil Rubbed Bronze	CL400D0235	CL400D0240	CL400D0245
	Satin Nickel	CL400D0335	CL400D0340	CL400D0345
	Matte Black	CL400D0435	CL400D0440	CL400D0445
Privacy ER/Snib 	Bright Chrome	CL400D0038	CL400D0043	CL400D0048
	Satin Chrome	CL400D0138	CL400D0143	CL400D0148
	Oil Rubbed Bronze	CL400D0238	CL400D0243	CL400D0248
	Satin Nickel	CL400D0338	CL400D0343	CL400D0348
	Matte Black	CL400D0438	CL400D0443	CL400D0448
Blank/Key 	Bright Chrome	CL400D0050	CL400D0060	CL400D0070
	Satin Chrome	CL400D0150	CL400D0160	CL400D0170
	Oil Rubbed Bronze	CL400D0250	CL400D0260	CL400D0270
	Satin Nickel	CL400D0350	CL400D0360	CL400D0370
	Matte Black	CL400D0450	CL400D0460	CL400D0470
Snib/Key 	Bright Chrome	CL400D0052	CL400D0062	CL400D0072
	Satin Chrome	CL400D0152	CL400D0162	CL400D0172
	Oil Rubbed Bronze	CL400D0252	CL400D0262	CL400D0272
	Satin Nickel	CL400D0352	CL400D0362	CL400D0372
	Matte Black	CL400D0452	CL400D0462	CL400D0472
Key/Key 	Bright Chrome	CL400D0055	CL400D0065	CL400D0075
	Satin Chrome	CL400D0155	CL400D0165	CL400D0175
	Oil Rubbed Bronze	CL400D0255	CL400D0265	CL400D0275
	Satin Nickel	CL400D0355	CL400D0365	CL400D0375
	Matte Black	CL400D0455	CL400D0465	CL400D0475



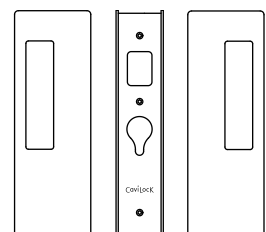
9 - CL400 Bi-Parting Privacy Emergency/Snib option. Satin Nickel.

Handing

Bi-Parting Privacy Snib One Side and Key One Side handles are supplied with the Snib or Key on the right hand side. If you require them on the left, swap with the Bi-Parting mate on site.



Matching Handle Set
- Passage / Privacy



Matching Handle Set
- Key Locking



The CL400 ADA Magnetic matches the look and functionality of the CL400 Magnetic range with greater accessibility.

Utilising the patented magnetic mechanism of the CL400 Magnetic, this addition to the range provides flexibility for building owners. It uses the same door cutout and striker and is able to be retrofitted over existing CL400 flush handles for the requirements of disabled tenants.

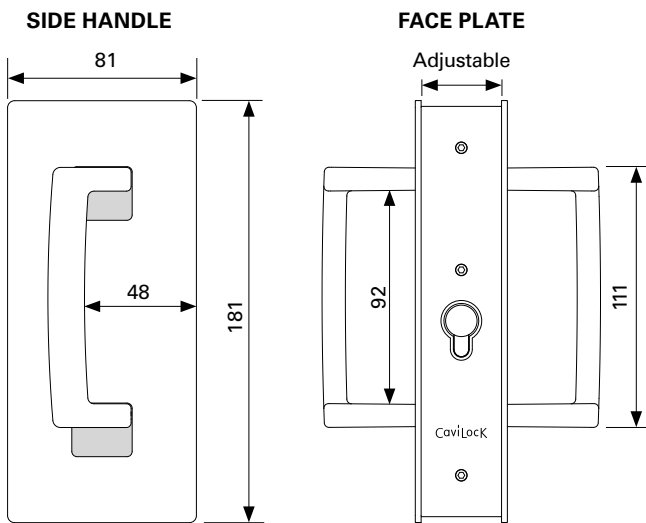
Design Features

- ▮ Pull handle is easy to use - no tight pinching or twisting of the wrist.
- ▮ Complies with NZS4121:2001*
- ▮ Specify with the **CS EasyOpen** cavity slider for a complete solution.*
- ▮ Privacy option is supplied with red/green engaged/vacant indication as standard.
- ▮ Available in Passage, Privacy and Bi-Parting configurations.
- ▮ Suitable for cavity or surface sliding doors.



▲ 10 - CL400 ADA Magnetic Privacy Snib, Satin Chrome.

Dimensions



▲ 11 - CL400 ADA Magnetic Emergency Release, Satin Chrome.

* To comply with NZS4121:2001 the offset handle option must be used. The centre of the handle should be positioned between 900mm and 1200mm (1000mm optimal) above finished floor level. The door needs to be at least 910mm wide to allow minimum clear walk through of 760mm. There must be a 45mm clear space from edge of pull handle to the nearest door jamb when the door is both fully open and completely closed. A flat closing jamb is recommended. The supplied 'Down to Lock' label must be positioned as close as possible to the handle. Consult local standards for guidelines relating to the specific project.

Selection Procedure To order, ensure you have the following information ready (See overleaf for codes):

Function	Door thickness	Finish	Handing Configuration																
Single Door	34 - 40 mm	Bright Chrome	Handing must be determined at time of manufacture and cannot be altered on site. See diagram for determining handing of functions.																
Bi-Parting Door	40 - 46 mm	Satin Chrome																	
Passage Non Latching		Oil Rubbed Bronze	<table border="0"> <tr> <td></td> <td>LH</td> <td></td> <td>RH</td> </tr> <tr> <td>Blank</td> <td>Blank</td> <td>Blank</td> <td>Blank</td> </tr> <tr> <td>Snib</td> <td>Snib</td> <td>Snib</td> <td>Snib</td> </tr> <tr> <td>Emerg.</td> <td>Emerg.</td> <td>Emerg.</td> <td>Emerg.</td> </tr> </table>		LH		RH	Blank	Blank	Blank	Blank	Snib	Snib	Snib	Snib	Emerg.	Emerg.	Emerg.	Emerg.
		LH			RH														
Blank		Blank		Blank	Blank														
Snib		Snib		Snib	Snib														
Emerg.		Emerg.		Emerg.	Emerg.														
Passage Mag Latching	Satin Nickel																		
Privacy Locking	Matte Black																		
	<i>Special Order</i>																		

